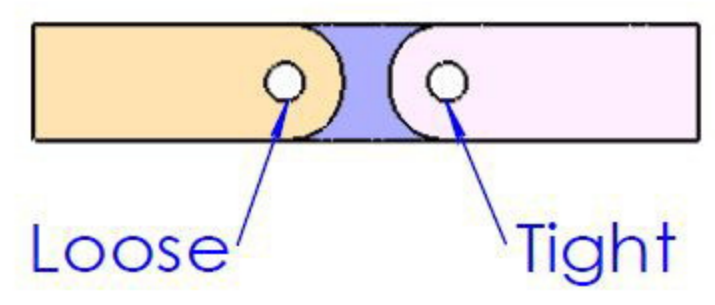
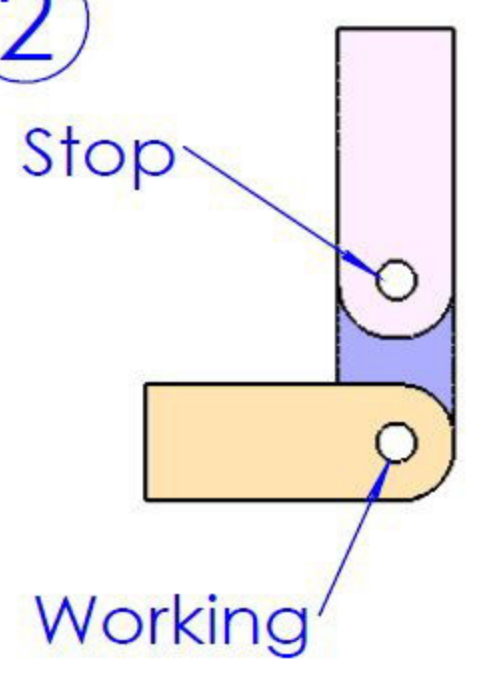


Installation 1 : Actuation sequence

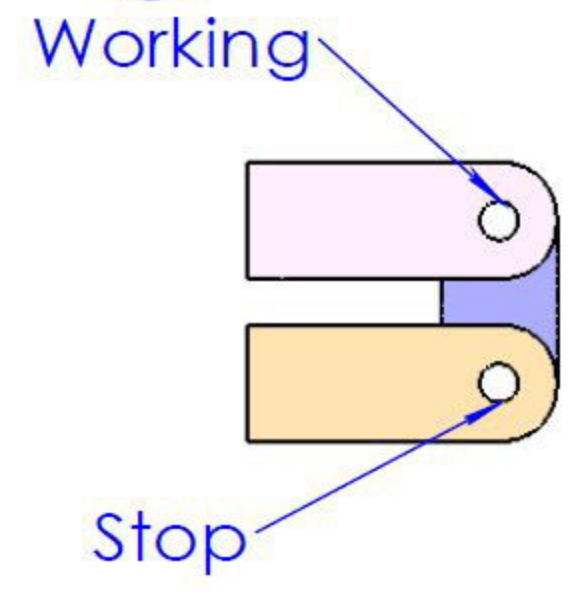
①



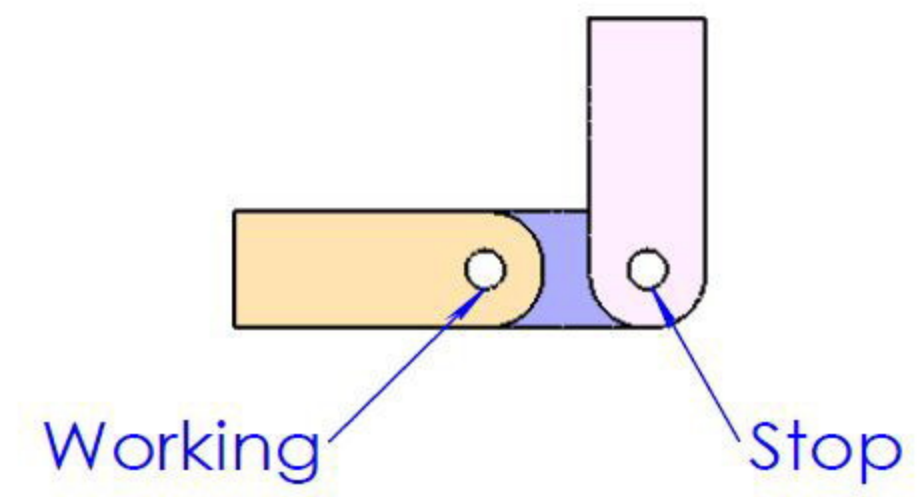
②



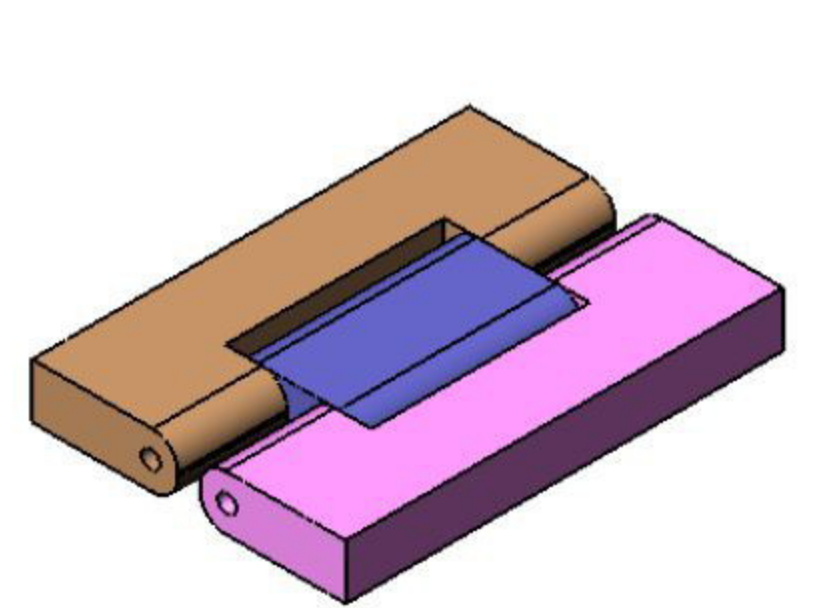
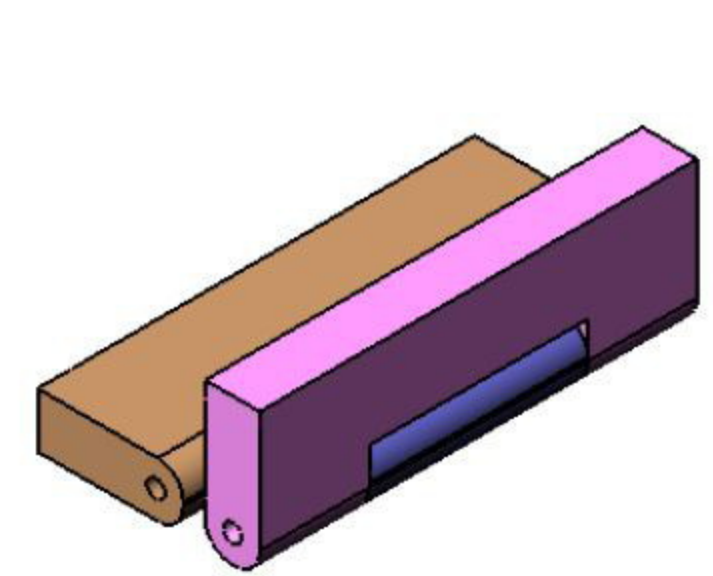
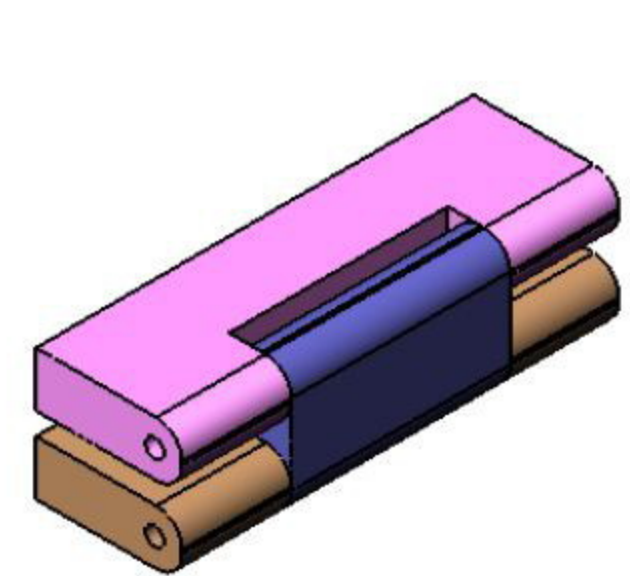
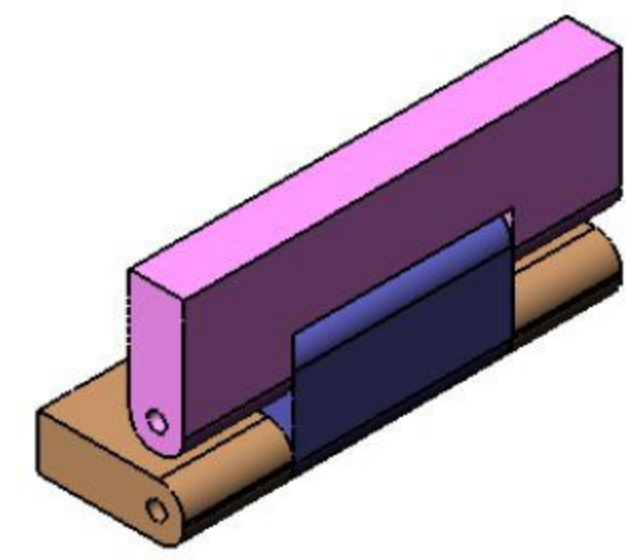
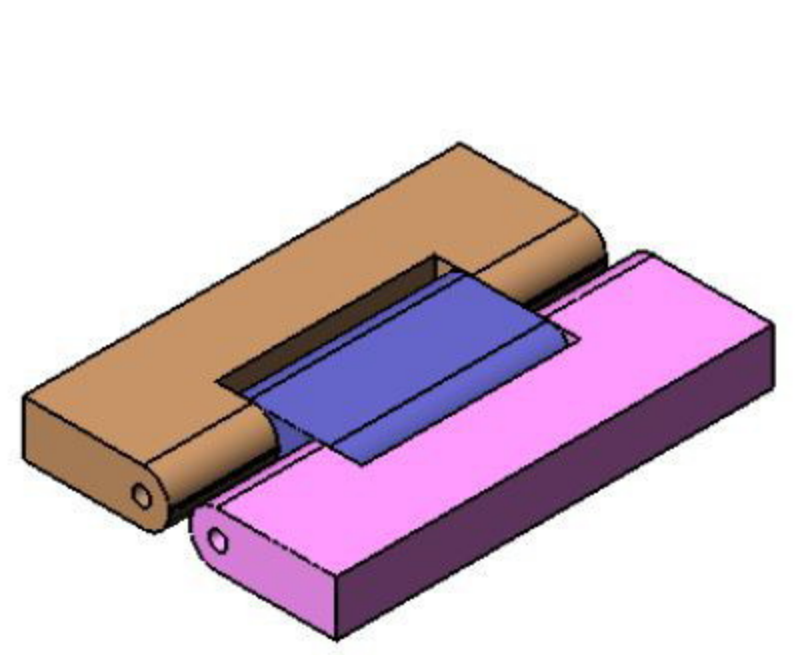
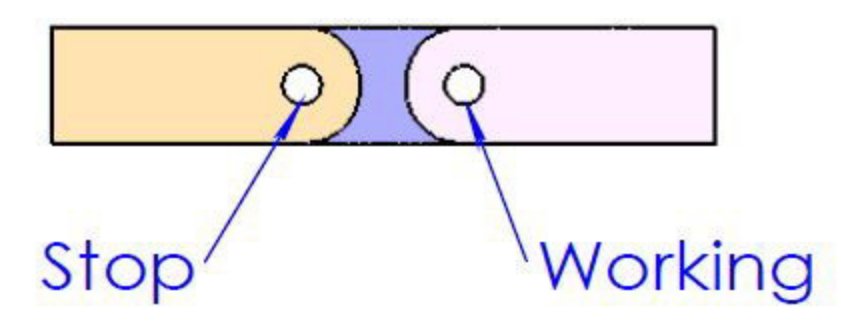
③



④ Reversion

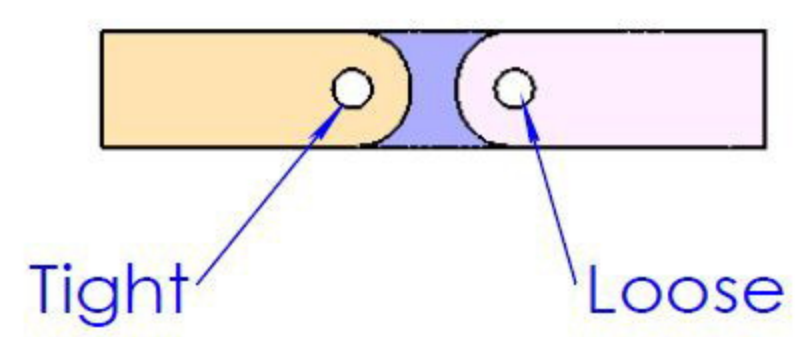


⑤

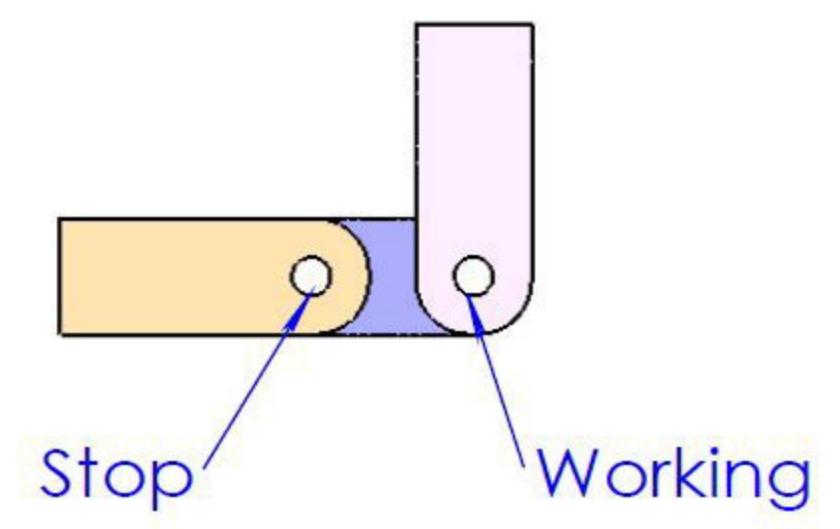


Installation 2

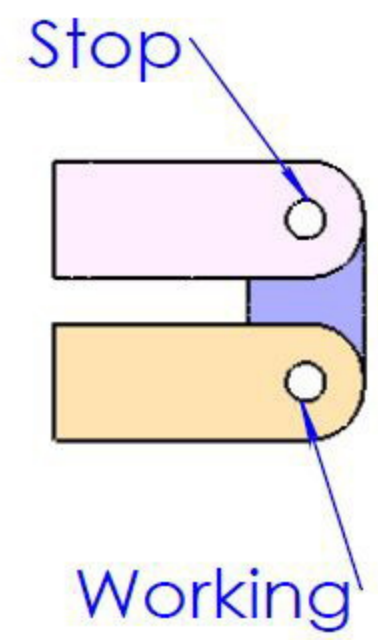
①



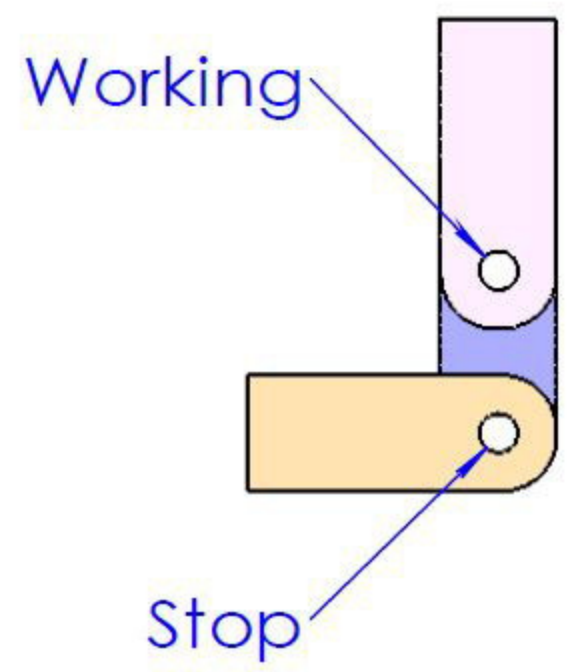
②



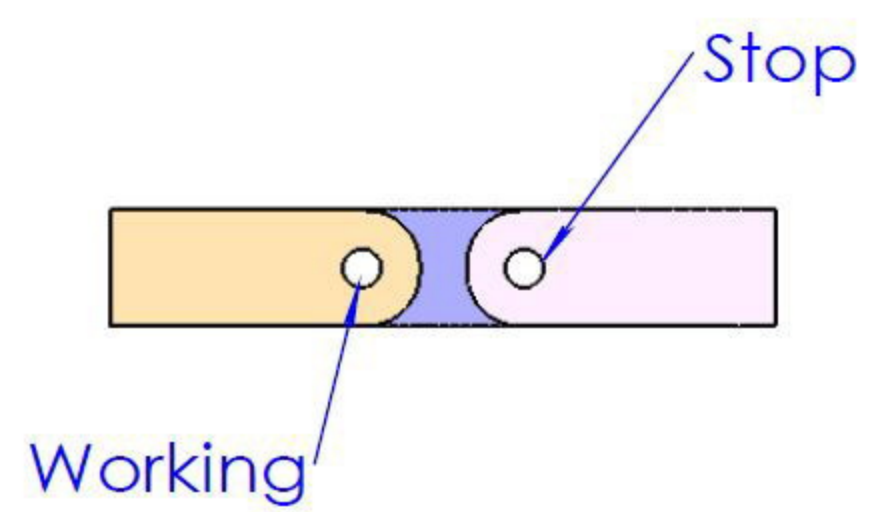
③



④ Reversion



⑤



DIMENSIONS ARE IN MM		NAME	DATE	C-QUIP LTD
		DRAWN BAIYI		
TOLERANCES: ±		CHECKED		MATERIAL :
ONE PLACE DECIMAL ±				SIZE A4 DWG. NAME.
TWO PLACE DECIMAL ±				Hinge Actuation sequence REV.
DO NOT SCALE DRAWING		SCALE 1:2	DATE: 2015/3/26	PART NO. : 10a-9336136