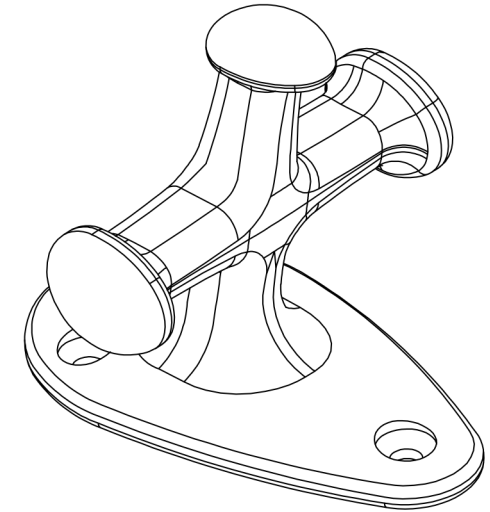
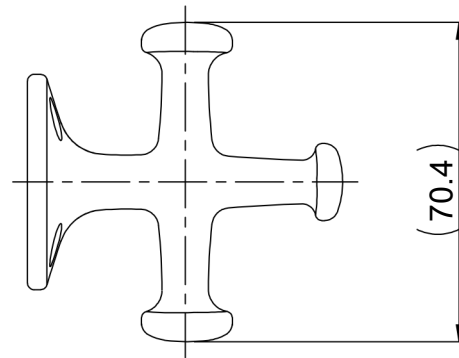
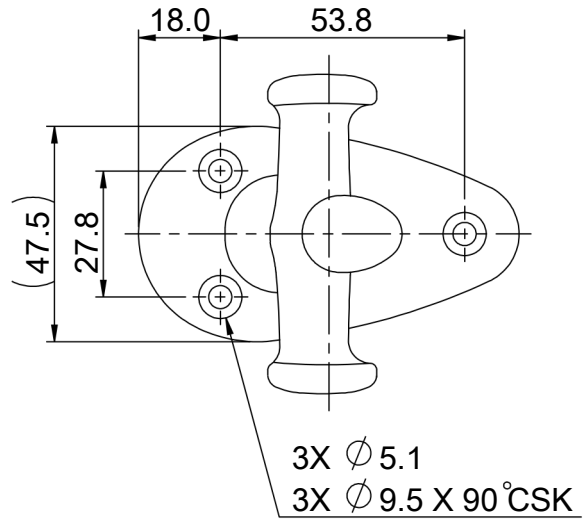
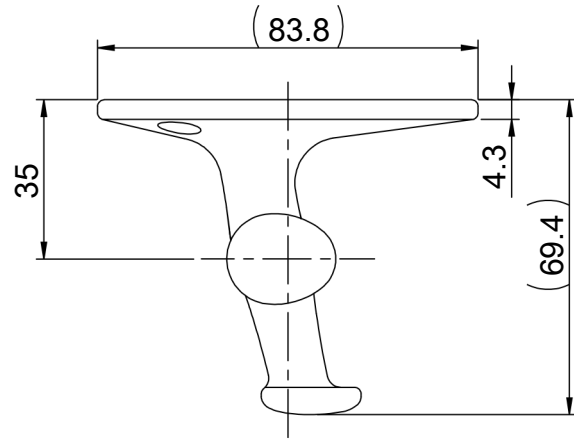


REV.	DESCRIPTION	DATE	DWG. BY	DATE	CHECK BY
A.0	REDRAW-A	DD MMM YY	Pranee S.		
B.0	REDRAW-B	DD MMM YY	Pranee S.		
C.0	REDRAW-C	DD MMM YY	Pranee S.		



DRAWING BY : Pranee S.		TITLE : CROSS BOLLARD				
DATE : DD-MMM-YY		CUSTOMER :				
CHECKED BY :		CUSTOMER				
TOLERANCE		DATE :	REVISION	MOLD No.	MATERIAL	WEIGHT
☑ 0.X ± 0.7	APPROVED BY :	DATE :	A.X	XX-000	316	0000 g
☑ 0.XX ± 5	SCALE : N.T.S.	DWG. No. : 86916			SHEET 1 : 1	
☑ 0.XXX ± 0.25						
☑ ANGULAR ± 3°						