



## 75D ARCTIC LED A/R BLUE 360° 115-230VAC

The Series 75 LED Navigation lights are applicable for all vessels  $\geq 20$  m in length. The LED Navigation lights fulfil all requirements of International Regulations for Preventing Collisions at Sea 1972 (COLREG) that are published by the International Maritime Organization (IMO) and local rules. Series 75 is available in Single version (Series 75), Double version (Series 75D), Single Arctic version (Series 75 Arctic) and Double Arctic version (Series 75D Arctic). Arctic versions are intended for use in low temperature areas, and includes a heating foil, on the inside of the glass lens, for de-icing. The Series 75 is based on the latest innovative LED and driver technology. Compared with conventional navigational lights and first generation LED navigational lights, the Series 75 set new standards in terms of lifetime, efficiency and reliability. The main and the back-up systems are compactly integrated in one housing. Series 75 navigation lights are available in black housing color.



Item Number	3675555000
GTIN	4036538648717
Stock status	C



### Technical specifications

Electrical Data	
Mains current reserve 1	X
Minimum Voltage -10% (VAC)	103
Maximum voltage +10% (VAC)	253
Minimum frequency -5% (Hz)	50
Maximum frequency +5% (Hz)	60
Sec Feed Minimum Voltage -10% (VAC)	103
Sec Feed Maximum voltage +10% (VAC)	253
Sec Feed Minimum frequency -5% (Hz)	50
Sec Feed Maximum frequency +5% (Hz)	60
Total consumption (W)	52
Optic	
Output angle (°)	360
Visibility (nm)	3
Material of diffuser	Borosilicate glass
Diffuser material design	Clear
Certificates	
Marine Approved	true

Technical Data	
Minimum ambient temperature (°C)	-40
Maximum ambient temperature (°C)	55
IP classification	X6/X7
Lantern type	Double arctic

Light Technical Data	
Light source	LED
Number of lamps	2
Light source 2	LED
Light source included	true

Lifetime	
L70 Median useful life LED Ta45 (hr)	100 000

Housing	
Main body material	Polycarbonate
Surface treatment	Reinforced
Body colour	BL - Black
Main body colour name	Black

**Dimensions**

Length (mm)	248
Width (mm)	176
Height (mm)	222
Net weight (kg)	3.000028

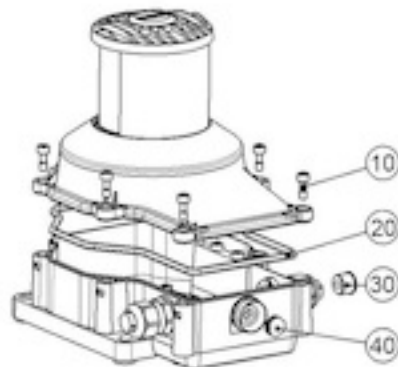
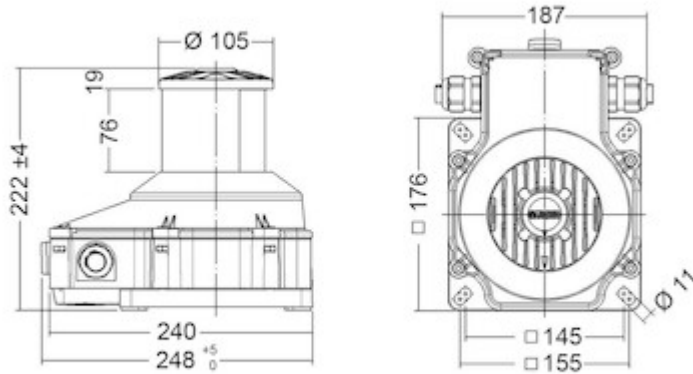
**Cable Inlet**

Cable gland	M25-Polyamide
Number of cable glands	2
Max cable diameter (mm)	17
Min cable diameter (mm)	10

**Logistic Data**

Item gross weight (kg)	3.2609
------------------------	--------

## Images



Spare Parts		
Pos.		Spare part no.
10	Screws stainless steel;6 pcs.	E-2366502100
20	Gasket for housing,silicone;1 pc.	E-2367501100
30	Reduction insert for connection cable;2 pcs.	E-9060085000
40	Pressure equalisation with bush M20, polyamide;1 pc.	E-9060036300