

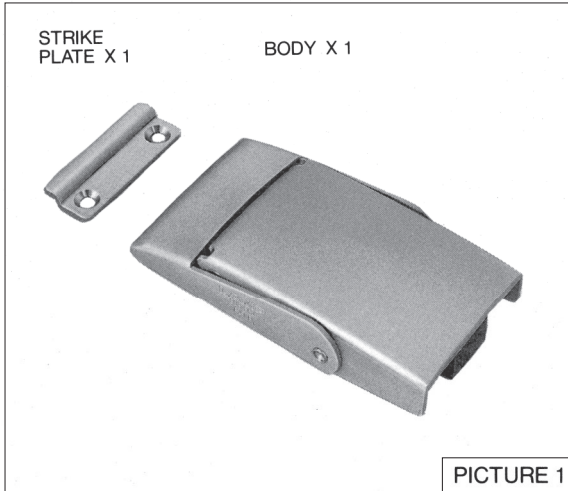
LAMP[®] STF-100

DRAW LATCH (W/SAFETY LOCK)

INSTALLATION INSTRUCTION

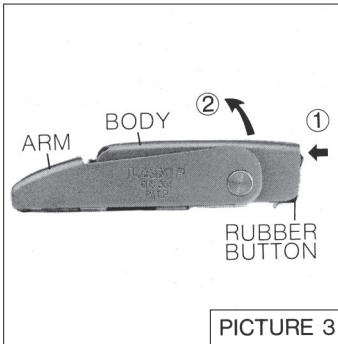
Please read instruction sheet carefully and thoroughly for proper installation.

■ The parts described below are for one fastener.

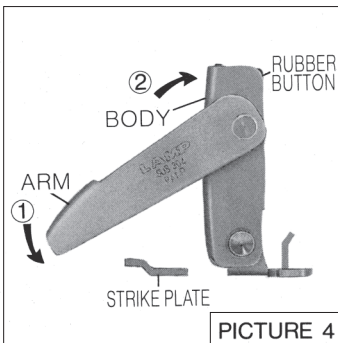


Note: Installation screws are not enclosed. Please prepare 5 pcs M4 flat head screw separately.

■ How to operate



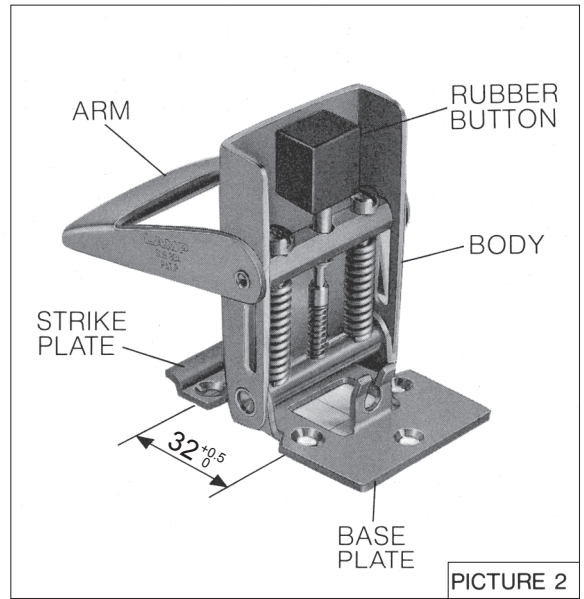
To release open:
Press - and - hold rubber button ① and lift up body ②



To fasten:
Hook arm ① on to strike plate ② properly. Pull and push down body ③.

Note:
Do not push body down when arm is not hooked on to strike plate properly as it may damage the product.

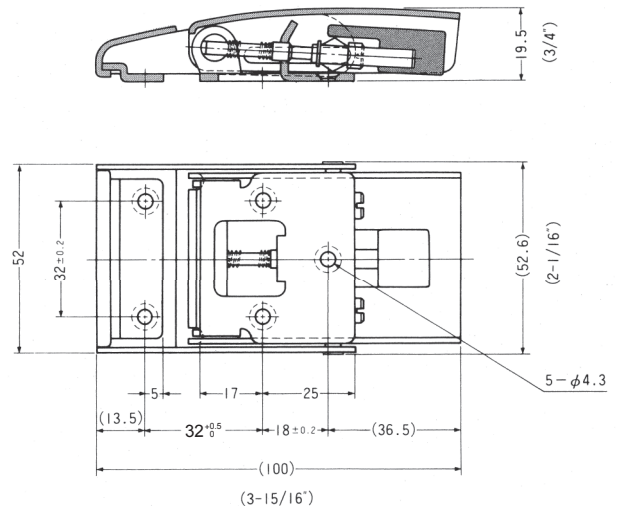
■ PARTS DESCRIPTION



■ How to mount

Place strike plate and base plate at the right positions, referring to the above picture, and mount them with the installation screws. Make sure of the 32 ± 0.5 mm (1.24" - 1.28") distance between hole centers of strike plate and base plate to secure proper installation.

■ Specifications



Material: 18-8 stainless steel
Finish : Satin

Note: Do not exceed 14 kgs. (30 lbs.) of push down force.



SUGATSUNE KOGYO CO.,LTD.
Manufacturer of LAMP brand products

Please find the contact information for your local area using the QR code.

